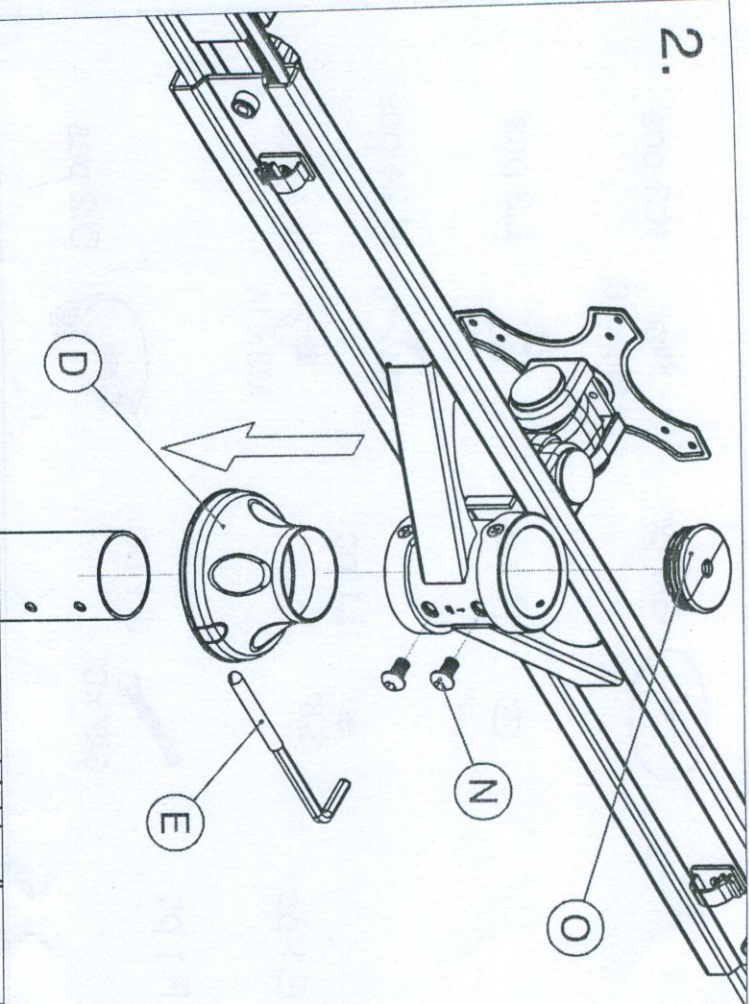
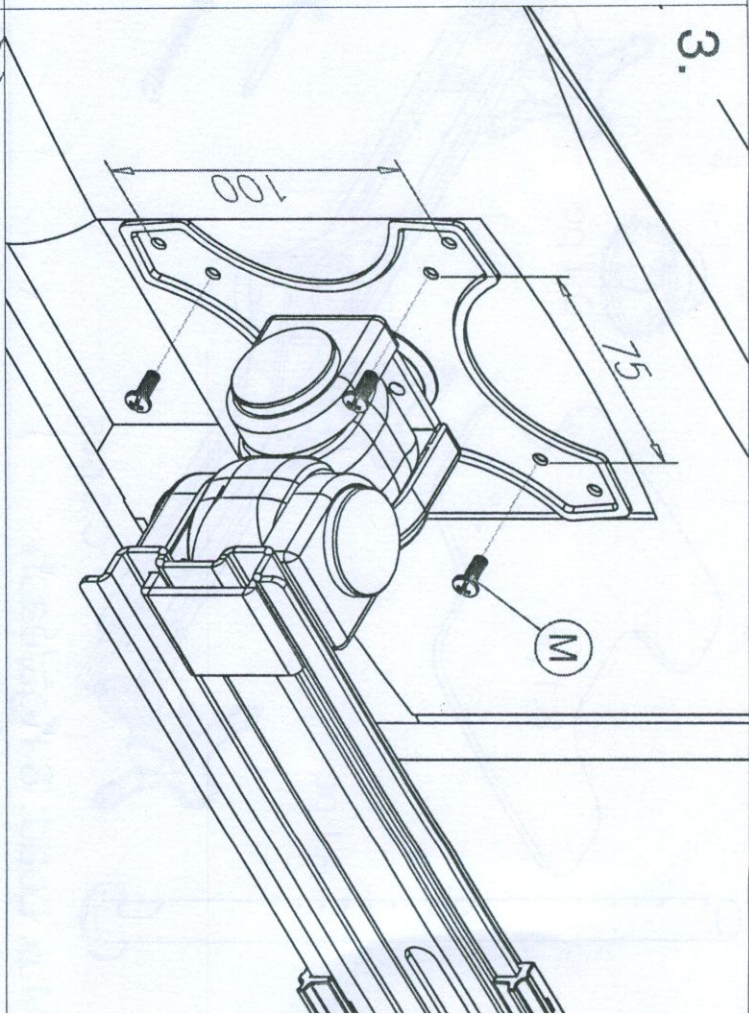


2.

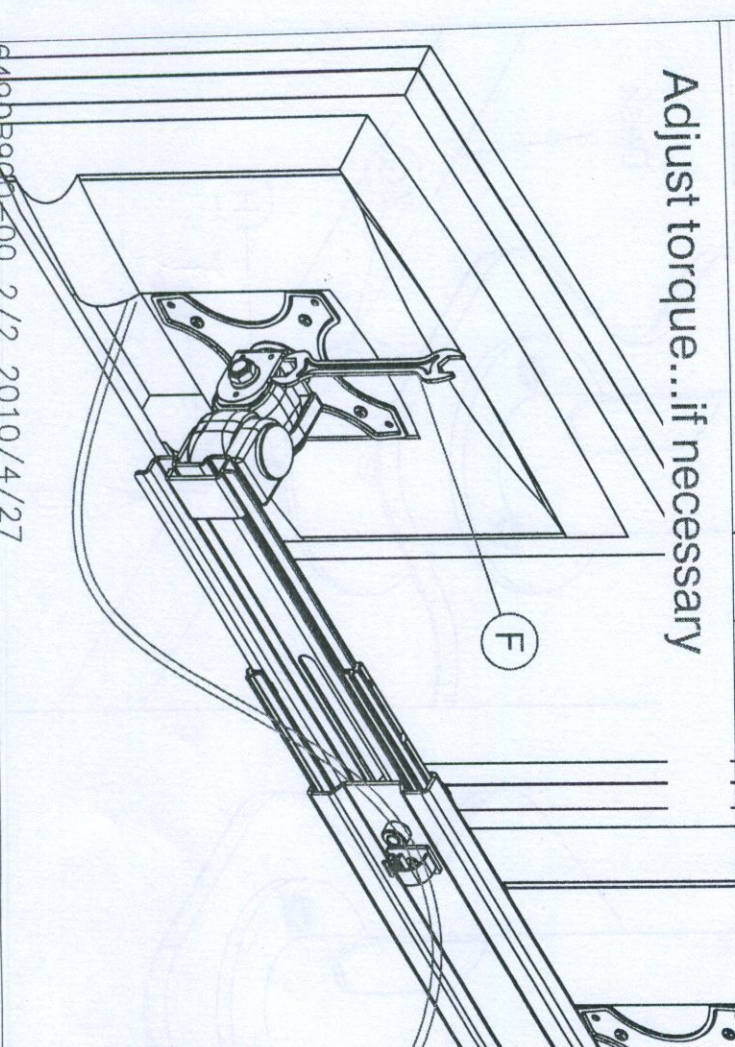


3.



Adjust torque...if necessary

F



4.

Adjust the width...if necessary

